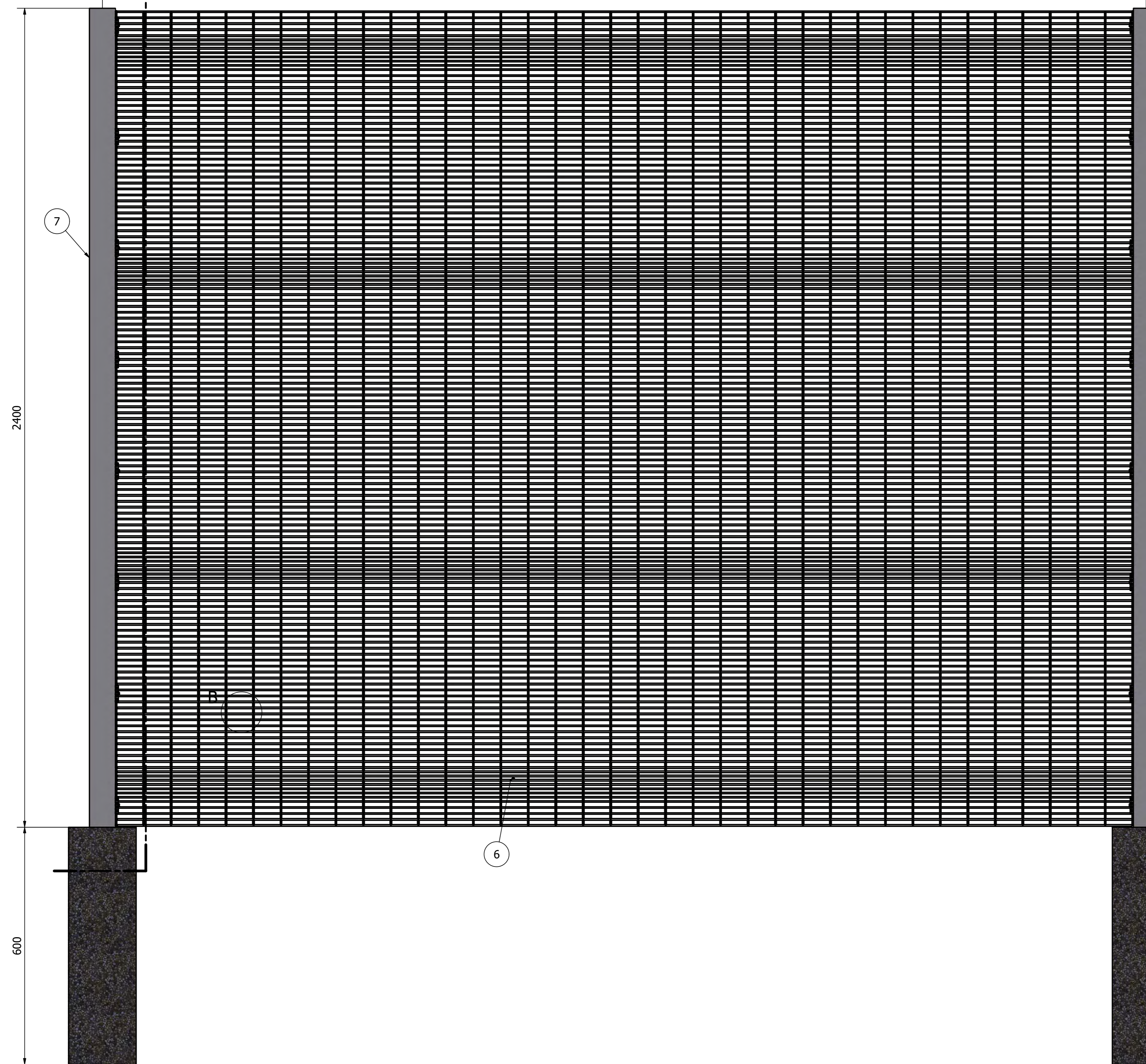
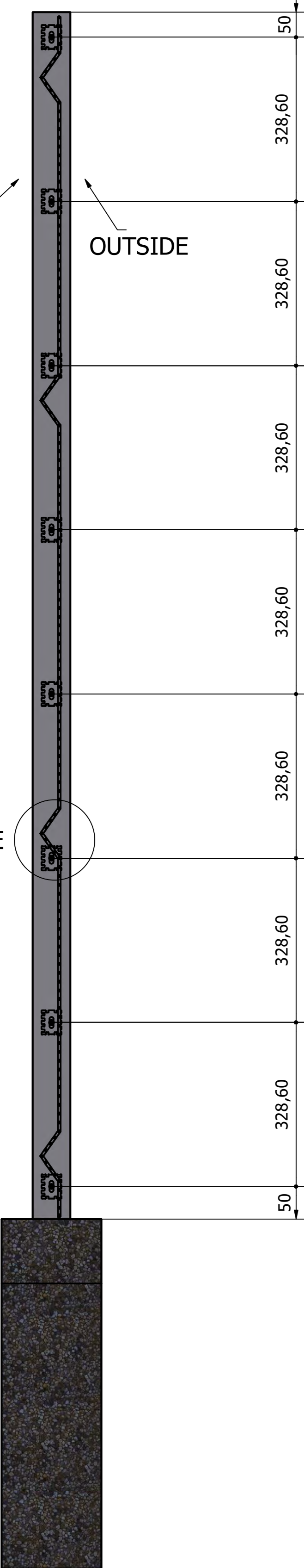
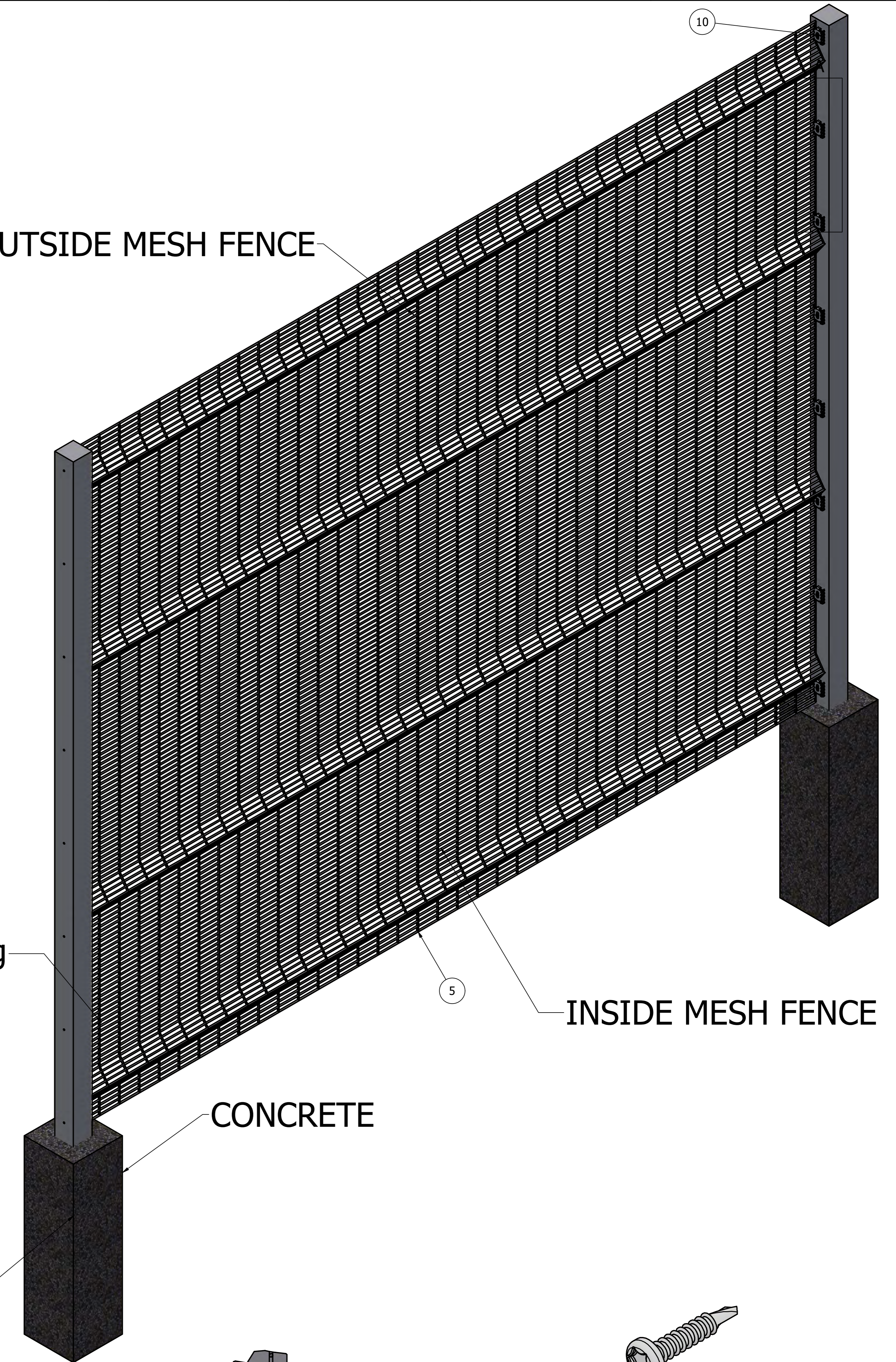


INSIDE

OUTSIDE



OUTSIDE MESH FENCE

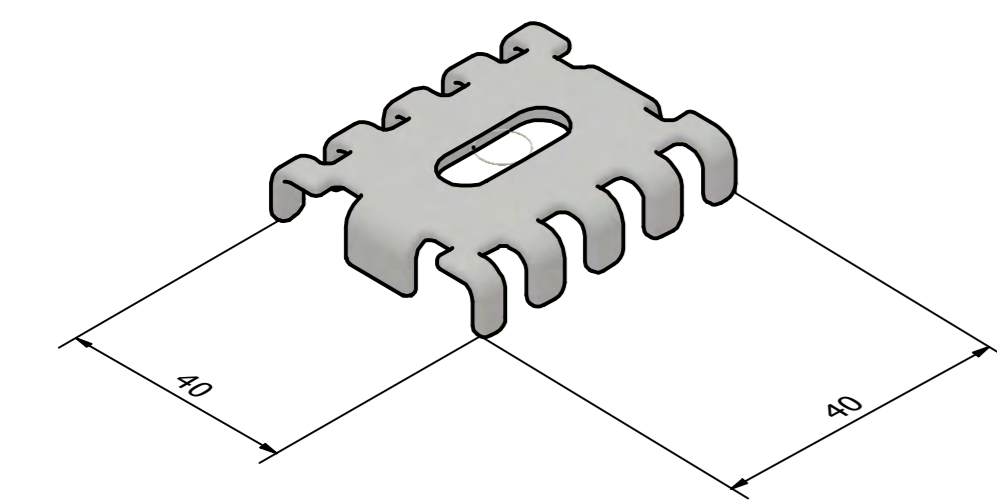


INSIDE MESH FENCE

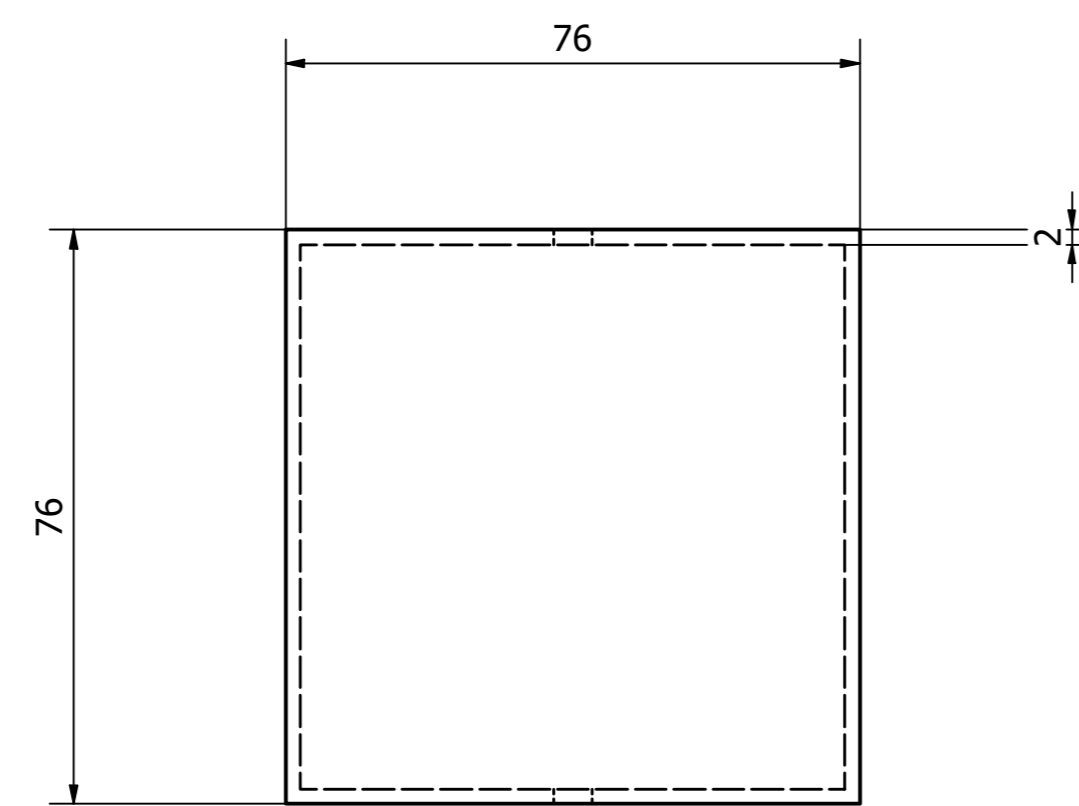
SQ Tubing

CONCRETE

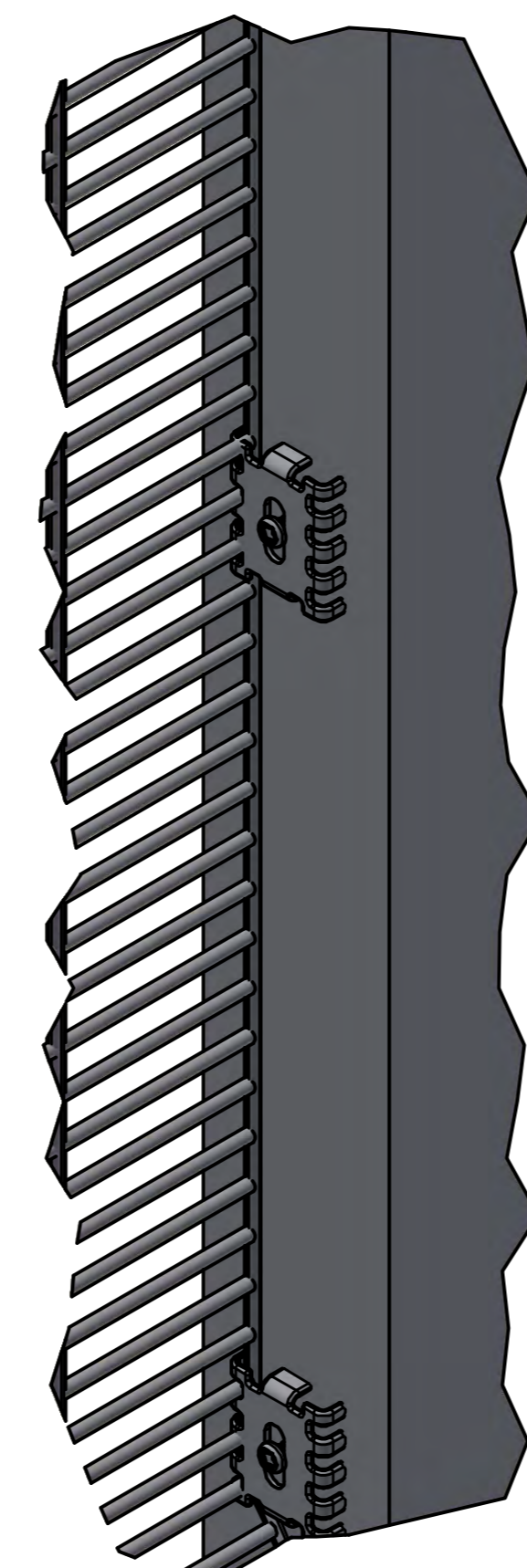
GL



40 X 40X 5 THK
SPIDER CLAMP



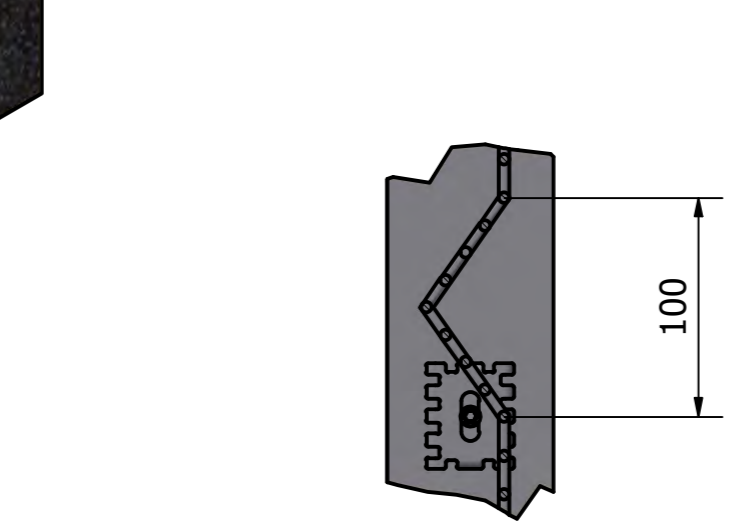
SQ Tubing 76 X 76 X 2 THK



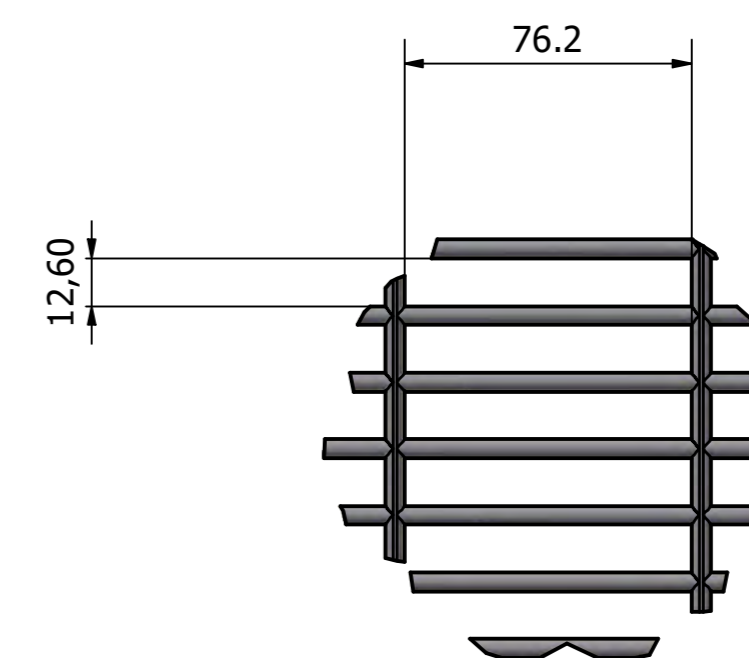
CLAMP DETAIL



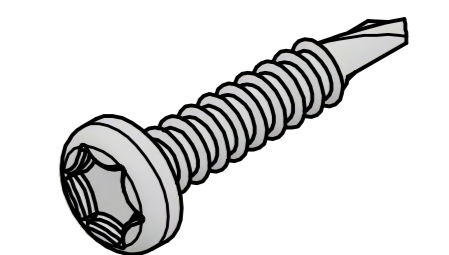
SPIDER CLAMP
ASSEMBLY



V BEND SIZE



MESH SIZE



Self Drilling Screw

PARTS LIST			
ITEM	QTY	PART NUMBER	DESCRIPTION
3	1	CONCRETE BLOCK	
4	8	SPIDER CLAM ASSY	
5	1	MESH-PANNEL..	
6	1	MESH-PANNEL..	
7	1	76x76x2 Tubing	
8	1	76x76x2 Tubing	
9	1	CONCRETE BLOCK	
10	8	SPIDER CLAM ASSY	

MESHTech
SEE-THROUGH FENCING SPECIALISTS
WWW.MESHTech.CO.ZA

Designed by Jurgens	Checked by Weber	Approved by Weber	Date 2024/03/06	Date 2024/03/06
2.4 M Fence MAIN GA				Edison 1
				Sheet 1 / 1